



Owner's Manual

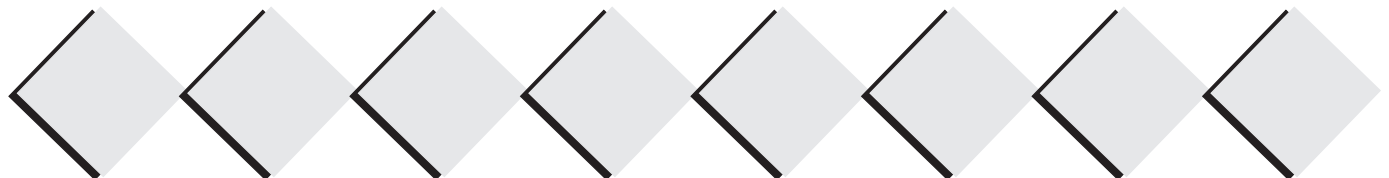


Dishwasher

Keep instructions for future reference.
Be sure manual stays with dishwasher.

Contents

Important Safety Information	3
Washing the Dishes	4
Custom Features	6
Detergents and Rinse Aids	7
Stains and Films	8
Dishwasher Safe Recommendations	9
Care and Cleaning	10
User Maintenance	11
Troubleshooting	14
Warranty	16



Thank you for buying an Amana® dishwasher!

Please take the time to complete the registration card and return promptly. If registration card is missing, call Amana Consumer Affairs Department. When contacting Amana, provide product information from serial plate found on the inside right edge of the dishwasher:

Model Number _____
Manufacturing (P) Number _____
Serial Number (S/N) _____
Purchase Date _____
Dealer Name _____
Dealer Address _____
Dealer Phone _____

Keep this manual and your sales receipt together in a safe place for future reference or if warranty service is required.

For answers to questions or to locate an authorized servicer, call 1-800-NAT-LSVC (1-800-628-5782). Warranty service must be performed by an authorized servicer. Amana Appliances also recommends contacting an authorized servicer if service is required after warranty expires.

Asure™ Extended Service Plan

Amana Appliances offers long-term service protection for this new dishwasher. Asure™ Extended Service Plan, covering functional parts, labor, and travel charges, is specially designed to supplement a strong warranty. Call 1-800-528-2682 for information.

Parts and Accessories

Purchase replacement parts and additional accessories by phone. To order accessories for your Amana product, call 1-800-843-0304.

Save Time and Money

If something seems unusual, please check “Troubleshooting” section, which is designed to help you solve problems before calling service. If you have a question, write or call us (include model number and phone number) at:

Consumer Affairs Department
Amana Appliances
2800 - 220th Trail
Amana, Iowa 52204
Ph# 1-800-843-0304

For more information on this and other Amana products, visit our Web site

www.amana.com

or

call Consumer Affairs Department at
1-800-843-0304

What You Need to Know about Safety Instructions

Warning and Important Safety Instructions appearing in this manual are not meant to cover all possible conditions and situations that may occur. Common sense, caution, and care must be exercised when installing, maintaining, or operating dishwasher.

Always contact your dealer, distributor, service agent, or manufacturer about problems or conditions you do not understand.

Recognize Safety Symbols, Words, Labels



DANGER

DANGER—Immediate hazards which **WILL** result in severe personal injury or death



WARNING

WARNING—Hazards or unsafe practices which **COULD** result in severe personal injury or death.



CAUTION

CAUTION—Hazards or unsafe practices which **COULD** result in minor personal injury or product or property damage.

IMPORTANT SAFETY INFORMATION

WARNING

To avoid risk of fire, electric shock, serious injury, or death when using your dishwasher, follow these basic precautions:

1. Read all instructions before using the dishwasher.
2. Use the dishwasher only for its intended function.
3. Use only detergents or wetting agents recommended for use in a dishwasher and keep them out of the reach of children.
4. When loading items to be washed:
 - Locate sharp items so that they are not likely to damage the door seal.
 - Load sharp knives with the handles up to reduce the risk of cut-type injuries.
5. Do not wash plastic items unless they are marked 'dishwasher safe' or the equivalent. For plastic items not so marked, check the manufacturer's recommendations.
6. Do not touch the heating element during or immediately after use.
7. Do not operate your dishwasher unless all enclosure panels are properly in place.
8. Do not tamper with controls.
9. Do not abuse, sit on or stand on the door or dish rack of the dishwasher.
10. To reduce the risk of injury, do not allow children to play in or on a dishwasher.
11. Under certain conditions, hydrogen gas may be produced in a hot-water system that has not been used for two weeks or more. **HYDROGEN GAS IS EXPLOSIVE.** If the hot-water system has not been used for such a period, before using the dishwasher turn on all hot-water faucets and let the water flow from each for several minutes. This will release any accumulated hydrogen gas. As the gas is flammable, do not smoke or use an open flame during this time.
12. Remove the door to the washing compartment when removing an old dishwasher from service or discarding it.



Proper disposal of your appliance:

Important: Child entrapment and suffocation are not problems of the past. Junked or abandoned appliances are still dangerous—even if they sit "just for a few days". If you are getting rid of your old appliance:

- Remove dishwasher door completely from unit.
- Keep shelves or racks in place so that children may not easily climb inside.

SAVE THESE INSTRUCTIONS

Washing the Dishes



1. Prepare dishes for washing

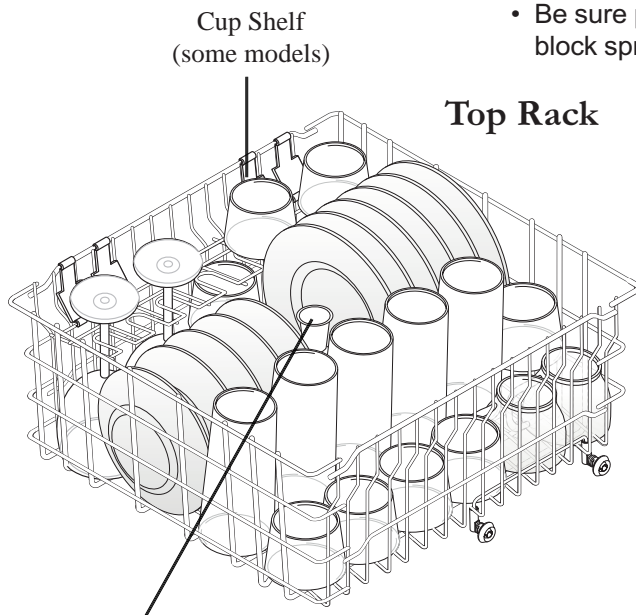
For best results:

- Scrape away large pieces of food, bones, pits, toothpicks, etc.
- Burned-on foods should be loosened before loading.
- Empty liquids from glasses and cups.
- Foods such as mustard, mayonnaise, vinegar, lemon juice and tomato based products may cause discoloration over time. It is best to rinse off these soils if not operating the dishwasher right away.
- Check manufacturer's recommendations before washing items in question.

2. Load bottom rack

To ensure best cleaning:

- Make sure tall items do not block spray arm rotation.
- Place plates and platters so they do not touch.
- Do not load glasses in bottom rack. Damage may occur.
- Do not place plastic items in bottom rack. They may melt.
- Place bowls, casseroles and saucepans with the soiled surface facing down. Tilt slightly for better drainage.
- Be sure pan handles do not protrude through the bottom of rack and block spray arm rotation.



Do not cover funnel

3. Load top rack

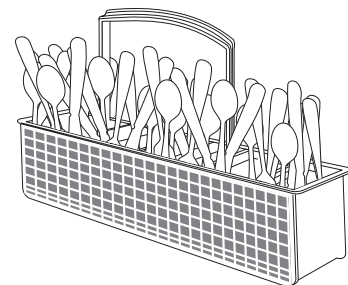
Important: Do not cover funnel when loading.

- Load glasses, cups, small plates, saucers and bowls in top rack.
- Load plastic items in top rack.
- Load items with open ends facing down for better cleaning and draining.
- Do not allow items to touch. Damage may occur.
- Long handled knives and utensils can be placed in top rack.
- Be sure nothing protrudes through the bottom of rack to block rotation of spray arm.
- When using cup shelf alternate items in top level of cup holder with the bottom level of holder so water can reach all items.

4. Load Silverware Basket

Remember to load knives and forks with handles up.

- Mix spoons, forks and knives to prevent nesting. Mixing items gives better cleaning and drying.
- Small plastic dishware such as measuring spoons and lids are not recommended for automatic dishwashing.
- Be sure nothing protrudes through bottom of basket or rack to block spray arm.
- To avoid damaging silver finish, do not mix silver and stainless items.
- If basket is positioned on side of rack, orient utensils towards center of dishwasher. This prevents items from damaging dishwasher tub.



Washing the Dishes (cont'd)

5. Check rinse aid dispenser

Rinse aids reduce water spots and hard water film, especially where low water temperature or pressure are problems.

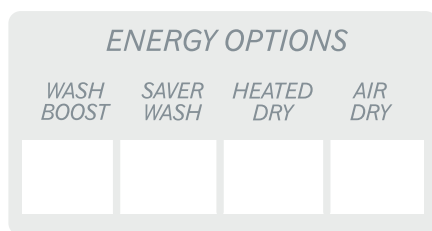
- To increase the amount of rinse aid dispensed, rotate the dial to a higher number.
- The indicator will be dark when the rinse aid dispenser is full, clear when more needs to be added.
- To add more rinse aid, see *Detergents and Rinse Aids*.

6. Add dishwashing detergent

Use detergent manufactured for automatic dishwashers only.

Other types will cause oversudsing. For information about how much detergent to use see *Detergents and Rinse Aids*.

- Fill uncovered detergent cup if using a prewash cycle.
- Fill covered detergent cup for main wash cycle.
- Check racks so large items do not prevent covered detergent cup from opening during main wash cycle.
- Use only fresh automatic dishwashing detergent. Moist or caked detergent will not dissolve properly.



7. Close door - Electronic Models

For models with electronic cycle selection, close dishwasher door and latch securely.

8. Select energy options/drying options

Wash temperature, energy and drying options vary by model. **For specific option information, refer to the model's Quick Start sheet.**

9. Run hot water & check food disposer

Water must be hot for effective cleaning. Run water from the faucet nearest the dishwasher until hot (120°F) (49°C). If dishwasher drains into a food disposer, be sure disposer is empty. Turn faucet off once water is hot.

10. Select wash cycle

Select the proper wash cycle based upon the type of dishware and the soils that need to be removed. To select cycle:

- with door open, turn knob clockwise until the line on the knob is aligned with the line on the desired cycle. Close dishwasher door and latch securely.
- for electronic controls select cycle by pressing the correct pad. Press START pad to begin dishwashing cycle.



CAUTION

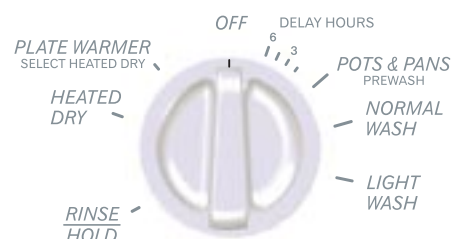
To avoid risk of personal injury when opening dishwasher door during a cycle, wait a few seconds to allow cold air to slowly expand inside dishwasher. Dishwasher may be hot.

To add or remove items after cycle starts, unlatch door and wait a few seconds until wash action has stopped. Open door and add item. Close door firmly to latch and cycle will resume.



Hints

Using a paper towel, apply rinse aid to the inside top and inside walls of dishwasher. This aids in drying effectiveness. Water will not cling to the top or sides, preventing it from falling onto the dishes as the dishwasher is opened or emptied. This should be done before the dishwasher's first use.



Custom Features

? If These Features are Different from Your Dishwashers

These features are intended to show the variety that is available in the product line. If your dishwasher does not have all the options that are shown, it is not a mistake. The information provided applies to several of the models in the product line.



NSF Protocol for Sanitization and Cleaning Performance of Household Spray-Type Dishwashers (1997)



Power Venting

To speed the drying process, a fan circulates the air inside the dishwasher. **The fan operates whether or not heated dry is selected.** If heated dry is not selected, the dishwasher door may be opened slightly to speed the drying process after the dry cycle.

Clean Sensor

This feature senses the amount of soil on the dishes during the Pots and Pans, Normal, and Light Wash cycles. Depending on how soiled the dishes are water fills will be added or deleted to the cleaning cycle, allowing the most efficient use of water.

SANITIZE

This feature raises the final rinse temperature to 150°F (66°C). This high temperature is maintained for 10 minutes while rinsing the dishes. Cycle time may increase depending on incoming water temperature. For best results, incoming water temperature must be at least 120°F (49°C). This option can be selected in Pots & Pans, Normal Wash, and Light Wash cycles.

Child Lock

The child lock prevents a child or other person from changing dishwasher cycle settings. To activate the child lock, press the NO HEAT DRY pad once, then press and hold the NO HEAT DRY pad again for approximately 5 seconds. The child lock light will glow while child lock is active. To discontinue the child lock, press and hold NO HEAT DRY pad for 5 seconds.

Delay Start

Starting time for a wash cycle, depending on the model, can be delayed as long as nine hours. This enables you to set the options and desired wash cycle and select the starting time. The dishwasher can be set to begin the washing cycle once the area is less congested or after hot water consumption has stopped.

Dishwasher Wash Cycles (without heat delay)

NOTE: Not all cycles available on all models

Wash Cycle	Pot/Soil Type	Cycle Time (minutes)	Water Used (approx.)	Washes/Rinses
Pots & Pans	Pots, pans, casseroles and dinnerware with dried or baked on soils.	84 to 115	7.2 to 9.7 gallons	2 washes 4 to 6 rinses
Normal Wash	Regularly soiled dishes and silverware.	75 to 95	4.9 to 9.7 gallons	2 washes 2 to 6 rinses
Light Wash	For lightly soiled or pre-rinsed dishes and silverware.	75 to 105	4.8 to 8.5 gallons	1 wash 3 to 6 rinses
Saver Cycle	For lightly soiled china and crystal.	65	3.7 gallons	1 wash 2 rinse
Rinse/Hold	For rinsing dishes that will be washed later.	6-18	1.2 to 2.5 gallons	1 to 2 rinses

Detergents and Rinse Aids

How Much Detergent to Use

The amount of detergent to use depends on water hardness, the type of detergent (regular or ultra) and the phosphorus content in the detergent.

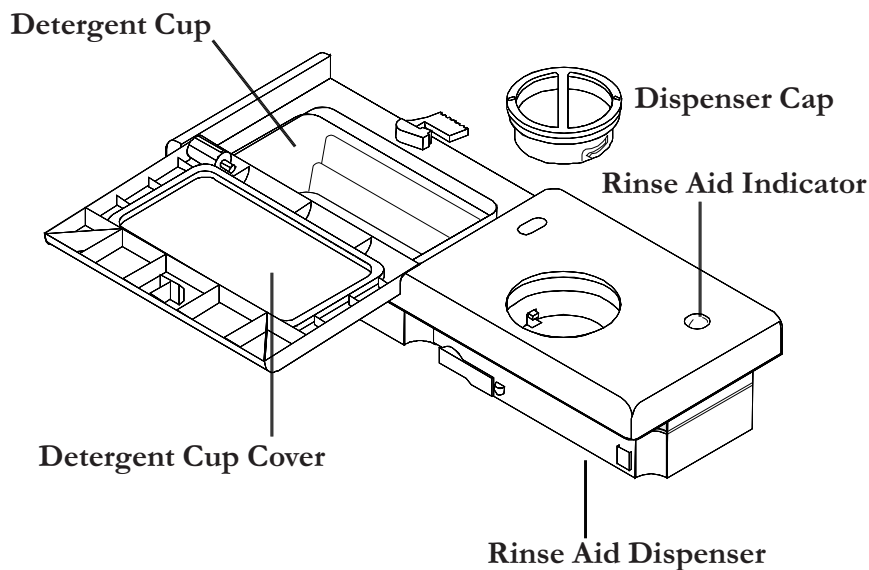
Water hardness is measured in grains per gallon. The higher the number of grains, the harder the water. The harder the water, the more detergent needed. Using too little detergent in hard water results in dirty dishes and hard water filming or spotting. Using too much detergent in soft water results in permanent etching in the dishes. Your local water company, water softener company or county extension agent can tell you the water hardness in your area.

More detergent may be needed if the phosphorus content is 8.7% or less. The phosphorus content is shown on the detergent label. Due to environmental concerns, phosphorus use has been reduced, and detergents containing phosphates are not available in some areas.

Detergent Chart

Water Hardness	Grains	Amount per Cup
Soft	0 – 3 grains	2 Teaspoons
Medium	4 – 8 grains	5 Teaspoons
Hard	9 +	10 Teaspoons (fill level to top)

12 grains and higher is extremely hard water. Detergent alone may not be enough. A water softener is recommended to improve water quality and dishwashing performance.



Is It Fresh?

The type and quality of detergent used will make a difference on effectiveness of the dishwasher. A detergent that is too old, clumpy, or damp will not be as effective as one that is fresh. Active ingredients in the detergent degrade over time so the detergent no longer works properly.



Rinse Aids

Rinse aids are extremely beneficial where low water temperature or poor water pressure are problems. Rinse aid also helps reduce water spots and marks from large water droplets clinging to dishes as they dry.

The dispenser, located next to the detergent cup, automatically releases a preset amount of rinse aid during the last rinse cycle. To adjust the amount of rinse aid dispensed, rotate the dial to a higher number. The dispenser holds enough rinse aid for 35 to 140 washes, depending on setting. The indicator will be dark when the rinse aid dispenser is full, and will be clear when more needs to be added.

To add liquid rinse aid:

1. Turn dispenser cap 1/4 turn counterclockwise and lift out.
2. Pour in rinse aid until liquid touches the indicated fill level. **Do not overfill.** Spilling can lead to foaming, causing overflow.
3. Replace cap.
4. Wipe up any spills with damp cloth to avoid oversudsing.

Stains and Films



Removal Solution

To remove buildup, rust stains from the dishwasher interior, spots and film from both

the dishwasher interior and dishes, clean using the following instructions.

1. Load clean dishes and glasses in normal manner. **Do not load any metal utensils or silverware.**
2. **DO NOT** add detergent.
3. Select the **NORMAL WASH** cycle. Close and latch door to start.
4. Allow dishwasher to run for 25 minutes to reach the main wash portion of wash cycle.
5. Unlatch and open door and pour 2 cups of white vinegar into the bottom of dishwasher.
6. Close and latch door and allow the cycle to finish.
7. If condition persists repeat above procedure using 1/4 cup of citric acid crystals instead of vinegar in step 5. Contact Consumer Affairs to order citric acid crystals (part number R0910039)
8. When using citric acid crystals, **DO NOT** load dishwasher with dishes.
9. Run an empty load on a normal cycle before placing dishes in the dishwasher.

Stop stains before they get started

Prevention is the best method for ending stain or film problems. Stains and films can be caused by one or multiple problems. Some common steps to prevent films or stains:

1. Rinse all dishes immediately after use. Foods such as coffee and tea, tomato or citric based products can cause stains when left on dishware or utensils.
2. Test your water hardness. Depending on water hardness, it may be necessary to use more or less detergent to get your dishes clean. Using too much detergent in soft water will lead to etching, making the dishes appear filmed.
3. Use the removal solution with a normal wash cycle on a regular basis. This will avoid a lime build up that is difficult to remove with one washing.
4. Do not allow aluminum flatware or dishes to come in contact with other dishware. Aluminum can mark porcelain and other dishware, leaving distinctive aluminum marks.

STAINS AND FILMS

Stain	Cause	Removal
Tea or coffee	Left in cups too long	Hand wash in solution of ½ cup (120 ml) bleach and one quart (1 L) of warm water. Rinse thoroughly.
Iron deposits (yellow or brown film)	Unfiltered water	Use citric acid crystals available from Amana Consumer Affairs. A special filter installed in the water supply line will correct this problem.
Aluminum marks (gray or black marks)	Aluminum utensils improperly loaded	Load properly, see <i>Removal Solution</i> .
Discoloration of plastics or stainless steel	Certain high acid foods left in contact for a long time	Use Rinse & Hold cycle or rinse by hand if not operating dishwasher at once.
Pitting of stainless steel	Mixing stainless steel and silver utensils in silverware basket	No treatment. Avoid mixing stainless steel and silver utensils.
Lime deposits/scale	Hard water deposits	See <i>Removal Solution</i> .

Dishwasher Safe Recommendations

To get best results from your new dishwasher, do not attempt to wash anything not designed to be washed by an automatic dishwasher. In general, do not try to wash dishware that may be heat-sensitive, that should not be jostled around by the water action of the spray arms, or that has sentimental value.

Dishwasher Safe Items

Material	Usually Safe	Special Instructions
Aluminum	Yes	Some darkening or spotting possible. Remove by scouring with soap-filled steel wool pads. Some colored anodized aluminum can fade.
China Stoneware	Yes	Load securely to prevent movement. Check china manufacturer's instructions. Do not wash antique, gold leaf, metal trimmed, hand painted or over the glaze patterns.
Crystal	Yes	Load securely to prevent movement. Do not use the SaniSure or any heat boost option, if available. Check crystal manufacturer's instructions. Wash cycle should be a low temperature wash or the crystal may crack. Antique, metal trimmed, gold leaf, hand painted or over the glaze patterns should not be washed.
Glass	Yes	Milk glass may yellow.
Iron	No	Not considered dishwasher safe.
Non-dishware (filters, etc.)	No	Damage, discoloration or staining of dishwasher may result.
Non-stick coatings	Yes	After washing, wipe non-stick coating with vegetable oil to keep coating from losing non-stick quality.
Pewter	No	Not considered dishwasher safe.
Plastics	Yes	If plastic does not say "dishwasher-safe", test one piece before washing entire set (top rack reduces heat).
Stainless Steel	Yes	Rinse if not washing immediately. Salty or acid foods can stain if left on.
Sterling silver Silver plate	Yes	Rinse if not washing immediately. Salty or acid foods can stain if left on. Powder detergent can cause black spots. Avoid placing near detergent dispenser. Do not wash with stainless steel or copper.
Tin	No	Not considered dishwasher safe.
Wood	No	Wooden carving boards and cooking utensils can be washed to sanitize, but will warp and separate at seams over time.

Care and Cleaning



WARNING

To avoid risk of burns, allow heating element to cool before cleaning the interior.

General Dishwasher Care:

- Do not use abrasive, harsh cleaners, solvents, concentrated detergents or metal scouring pads to clean the inside of dishwasher.
- Occasionally wipe the outside panel with a mild nonabrasive cleaner and water. Rinse and dry.
- Inside of tub is self cleaning with normal use. If needed, clean around the tub gasket with a damp cloth.
- To remove lime deposit buildup on interior of dishwasher see *Stains and Films* section in this manual.
- The filter is self-cleaning.

Cleaning Stainless Steel

Stainless steel appliances have been factory finished for high shine and luster. To maintain this quality appearance:

DO USE:

- Warm soapy water for routine cleaning.
- Dry with soft, clean cloth.
- For heavy soil, **ONLY** a stainless steel cleaner designed for kitchen appliance use.

DO NOT USE:

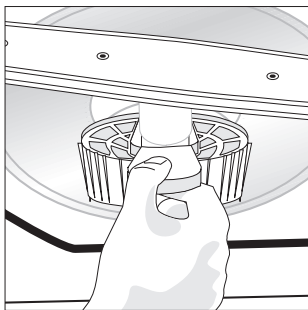
- Abrasive powders or liquids
- Citrus based cleaners
- Ammonia
- Steel wool pads
- Abrasive cloths
- Oven cleansers
- Acidic or vinegar based cleaners



Citric Acid

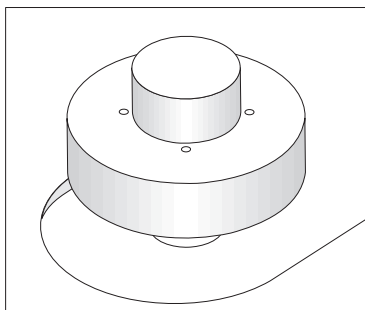
To prevent damage to the finish of your stainless steel appliance, do not allow mustard, tomato juice, marinara sauce, or other citrus based sauces or products to remain on stainless steel surface. Citric acid permanently discolors stainless steel.

Damage to stainless steel finish due to improper use of cleaning products, or using non-recommended cleaning products, is not covered under warranty. For stainless steel cleaner, call our Consumer Affairs division at (800) 843-0304 and request part number 31960801.



Glass Trap

A glass trap is located in the bottom of the dishwasher next to the filter. This trap is designed to collect pieces of small bone, pits, or larger pieces of food. It will need to be emptied. To remove items from the glass trap, grasp the handle and lift the glass trap out. Empty and clean, and then replace the glass trap before the next use.



Overfill Protector

The overfill protector keeps the dishwasher from overflowing during a wash or rinse cycle. It is located in the lower left front corner of the dishwasher bottom. The overfill protector should move up and down freely about one inch.

- Clean the protector occasionally with household cleaner containing vinegar or bleach to dissolve any buildup.
- To ensure easy movement, clean underneath the protector.

User Maintenance



Water Temperature

Important: Before starting dishwasher, run water until hot. Hot water is needed for best dishwashing and drying results. Water entering dishwasher should be at least 120°F (49°C) to give satisfactory results. Having cooler water may result in

longer wash times, if the dishwasher needs to heat the water before running a wash cycle, or reduced performance.

To check water temperature entering dishwasher:

- Turn on hot water faucet nearest dishwasher for several minutes to clear cool water from pipes.
- Hold a candy or meat thermometer in stream of water to check the temperature.
- If temperature is below 120°F (49°C) have a qualified person raise the thermostat setting on household water heater.
- Powder detergent may not completely dissolve or be effective if water temperature is below 120°F (49°C).

Water Pressure

Water line to the dishwasher must provide water pressure between 20 and 120 psi. Without proper pressure, food residue may not be removed effectively. Normal water pressure may be reduced by running laundry or showers at the same time as the dishwasher. For best results, wait until water use is reduced before operating the dishwasher. The dishwasher can be prepared for a wash cycle and be set for a delay start when water use is reduced.



Winterizing

A dishwasher left in an unheated place should be protected from freezing.

To Disconnect Service:

1. Turn off electrical power to the dishwasher at the supply source by removing fuses or tripping circuit breaker.
2. Shut off water supply.
3. Place a pan under the inlet valve. Disconnect water line from inlet valve and drain into pan.
4. Disconnect drain line from pump and drain water into pan.

To Restore Service:

1. Reconnect the water, drain, and electrical power supply.
2. Turn on water and electrical power supply.
3. Fill both detergent dispensers and run dishwasher through a NORMAL cycle.
4. Check connections to make sure they do not leak.

Caring for a Drain Air Gap

If a drain air gap was installed for your built-in dishwasher, check to make sure it is clean so the dishwasher will drain properly. A drain air gap is usually mounted on the countertop and can be inspected by removing the cover. This is not part of your dishwasher and is not covered under warranty.



CAUTION

To avoid property damage all supply lines to and circulating within dishwasher must be protected. Freezing temperatures may cause water lines to rupture.

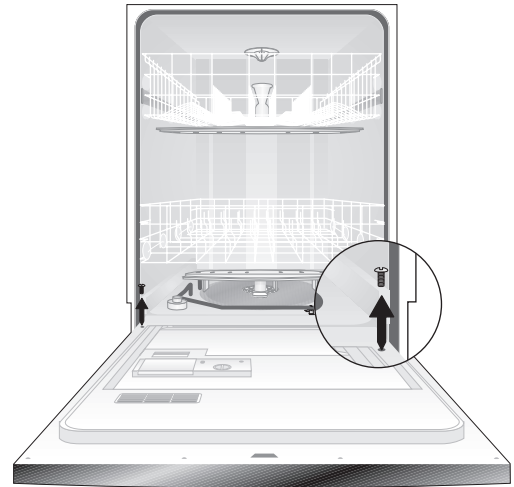
User Maintenance (cont'd)

Removing and replacing the outer dishwasher door

Dishwasher door needs to be removed during custom installation of specialty panels. This procedure is to add custom panels only, and should not be considered a part of routine user maintenance. To order custom panels, call Amana Customer Service at (800) 843-0304.

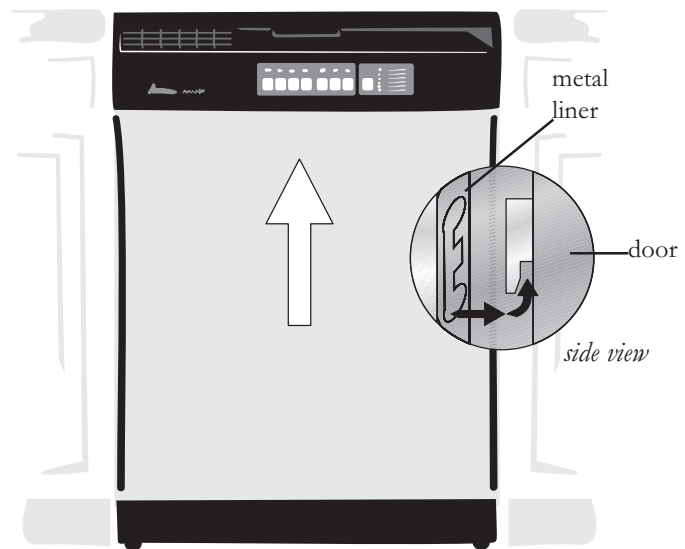
To remove:

1. Unlatch and open door. Using a Phillips head screwdriver, remove two (2) screws from inner door. Save screws to reassemble door.
2. Close and latch door while holding both sides.
3. Place one hand on each side of door and pull down at top approximately 1/4". Pull entire door assembly toward you to remove.
4. Place door where it will not get scratched or damaged while completing installation or other maintenance.



To replace:

1. Fit the slots on each side of top door edge over the tabs on the metal liner. Push on sides to insure the door is flat. Push up from bottom until there is no gap between door and console.
2. Unlatch door and open while supporting outer door on both sides and at bottom to keep in place. Align screw holes and replace screws.

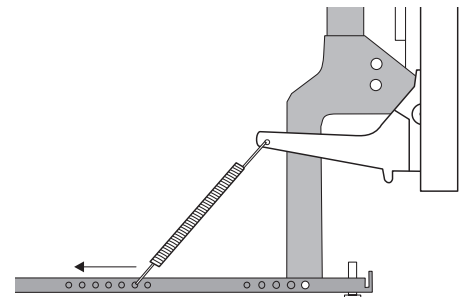


Adjusting Spring Tension

A correct spring setting allows the dishwasher door to remain horizontal in an opened position, but should close easily with a slight push upwards.

To adjust spring tension:

- To increase tension, move spring to a hole near the rear of the dishwasher.
- To decrease tension, move spring to a hole near the front of the dishwasher.



Troubleshooting

You may save time and money by checking items below before calling for service. List includes common concerns that are not the result of defective workmanship or materials. If your question is not explained below, contact Amana Consumer Affairs Department at **800-843-0304**.

TOPIC	POSSIBLE CAUSE	SOLUTION
NOISE		
Dishwasher pauses (no noise)	Wash action is switching between arms.	Normal
OPERATION		
Dishwasher won't run	Circuit breaker/fuse blown	Replace household fuse or reset circuit breaker
	Cycle set incorrectly	See Operating Instructions. Make sure delay start option is not selected.
	Door ajar	Shut door securely and latch.
	Inadequate water supply	Make sure water supply is turned on, water pressure is between 20 and 120 psi.
CLEAN light continues to glow after a wash cycle	CLEAN light is a feature on some models to indicate the dishes in the washer are clean. Light can remain on until dishwasher is unloaded. To shut off light, turn knob to OFF position.	Normal
Food soil left on dishes or Glassware/Flatware spotted or cloudy	Wrong cycle selected	Try a longer cycle.
	Dishes stacked incorrectly	Avoid nesting items. Allow enough space for water to reach all areas.
	Low water pressure	Make sure the water pressure is between 20 and 120 psi.
	Low water temperature	Check water temperature. Water temperature needs to be at least 120 °F (49 °C).
	Hard water	Increase detergent depending upon water hardness. Install water softener.
	Blocked funnel	Remove blockage (upper rack)
	Blocked spray arms (not rotating)	Make sure there are no utensils protruding from utensil basket.
	No rinse aid	Fill rinse aid container.
	Poor detergent	Make sure detergent is fresh. Increase phosphate level if possible.
Dishes not dry	No rinse aid Rinse aid level too low	Fill rinse aid container or increase amount dispensed.
	Low water temperature	Check water temperature. Water temperature needs to be at least 120 °F (49 °C).
	Heated dry option is off.	Select heated dry.
	Cups with concave bottom	Normal.
Dishware chipped	Poor loading	Load with care. Do not overload. Avoid nesting. Place glasses securely against pins. Delicate items should go in top rack. Make sure tall glasses and stemware will clear top of tub when rack is pushed in. Fine antique china and crystal should be hand washed.

Troubleshooting

OPERATION (cont'd)

Oversudsing	Hand washing dish soap or detergent.	Use detergent designed for automatic dishwashers. Add 1/4 cup vegetable oil to dishwasher when it fills with water. The oil will help reduce the amount of sudsing.
Etching	Too much detergent	Reduce amount of detergent used per wash cycle.
	Temperature of water too hot	Lower the water temperature.
	Drying too harsh	Use the air dry option.
Detergent left in cups	Old detergent	Discard detergent and use fresh.
	Blocked water action	Be sure water action can reach dispenser. Ensure items do not prevent the detergent dispenser from opening.
	Cycle incomplete	Allow cycle to complete.
Dishwasher has an odor	Soiled dishes	Wash dishes more frequently.
	'New scent'	Normal
	Improper draining	See <i>Dishwasher does not drain properly</i> in Trouble Shooting, under WATER.
	Incomplete cycle	Allow cycle to complete.
Stains	Tomato based foods	Large amounts of dishware with tomato based residue can cause a pink/orange appearance. This does not affect performance and will gradually fade. Pre-rinsing or using the Rinse & Hold cycle will reduce the chance of staining. Using the Air Dry option will reduce staining.

WATER

Dishwasher leaks	Old detergent around seal or gasket	Check to make sure detergent residue is not caked around door seal or gasket.
	Rinse aid	Spillage can cause foam and lead to overflowing. Wipe up any spills with damp cloth
	Cracked tub	Damage. Contact place of purchase.
	Not level	Check to see that dishwasher is level. See Installation Instructions.
Dishwasher does not drain properly (Water in tub bottom)	Clogged food waste disposal	Make sure disposal is empty prior to running dishwasher.
	Knockout plug	Check to see if the knockout plug has been removed from inside the food waste disposal inlet. See Installation Instructions.
	Drain hose removed from side of unit.	Verify that drain hose has not been removed.
	Drain hose higher than antisiphon loop	Verify that the extra drain hose does not travel higher than the mandatory loop. DO NOT remove loop from dishwasher.
	Kinked drain hose	Make sure drain hose is straight.
Dishwasher won't fill	Water supply	Verify that water supply is turned on.
	Water pressure	Water pressure should be between 20 and 120 psi.
	Blocked overflow protector	Overflow protector should move up and down freely.

Amana Warranty

Full ONE Year Warranty

Amana Appliances will repair or replace, including related labor and travel, any part (f.o.b. Amana Iowa) which has proved to fail due to workmanship or materials.

Full TWENTY Year Warranty

Amana Appliances will repair or replace, including related labor and travel, any defective tub or inner door liner, (f.o.b. Amana Iowa) which has proved to fail due to workmanship or materials.

Limited Warranty

Second Year

During the second year from the date of original retail purchase Amana will provide a replacement part, part only, for any failed water distribution system component (circulation pump/motor, drain pump/motor, lower spray arm system, middle spray arm system, delivery tube system and filtration system), which has proved to fail due to workmanship or materials. The owner will be responsible for paying all other costs including labor, mileage and transportation.

Second through Fifth Year

During the second through fifth year from the date of original retail purchase, Amana will provide a replacement rack, rack only, which has proved to fail due to workmanship or materials. The owner will be responsible for paying all other costs including labor, mileage and transportation.

What is not covered by these warranties

- Replacement of household fuses, resetting of circuit breakers, or correction to household wiring or plumbing.
- Normal product maintenance and cleaning.
- Products with original serial numbers removed, altered, or not readily determined.
- Products purchased for commercial, industrial, rental, or leased use.
- Products located outside of the United States.
- Premium service charges, if the servicer is requested to perform service in addition to normal service or outside normal service hours or area.
- Adjustments after the first year.
- Repairs resulting from the following:
 - Improper installation or maintenance.
 - Any modification, alteration, or adjustment not authorized by Amana.
 - Accident, misuse, abuse, fire, flood, or acts of nature.
 - Connections to improper electrical current, voltage supply or water supply.
 - Use of improper pans, containers, or accessories that cause damage to the product.

To Receive Warranty Service

Service must be performed by an authorized Amana service representative. To schedule service, contact the Amana dealer where you purchased your appliance or contact Amana Appliances Factory Service.

Amana Appliances Factory Service
1-800-628-5782

**For more information,
Amana Appliances Consumer Services**
Amana Appliances
2800 220th Trail
Amana, Iowa 52204
1-800-843-0304

When contacting Amana Appliances please include the following information:

- Your name, address, and telephone number.
- Model number and serial number of your appliance.
- The name and address of your dealer and the date of purchase.
- A clear description of the problem.
- Proof of purchase (sales receipt).

IN NO EVENT SHALL AMANA BE LIABLE FOR INCIDENTAL OR CONSEQUENTIAL DAMAGES.

This warranty gives you specific legal rights, and you may have others which vary from state to state. For example, some states do not allow the exclusion or limitation of incidental or consequential damages, so this exclusion may not apply to you.